

# PT56 POS

The thinnest bezel in the present time



Poindus



Hidden Cable Management



4.8mm Ultra-thin Bezel  
Thinnest bezel in present time



Easy Service Cover  
For RAM & SSD access



VESA Mount Capable#  
75 x75 mm on wall/pole

# Pole and bracket for VESA mount available to purchase separately

Exclusively Distributed by MachX

MachX Enterprise

📍 67 Weaver Street Coopers Plains QLD 4108, Australia

☎ +61 7 3275 5855

✉ sales@machx.com.au

🌐 www.machx.com.au

**MACHX**

# Integrated Printer

PT56 WP model is an All-In-One Point of Sale terminal with thermal printer housed within a sleek enclosure.

The printer, power supply and cables are all concealed inside the compact aluminium die-cast housing providing for a clutter-free counter space.



# Peripheral Options



RFID Reader



10.1" Second Display  
or 2-line VFD



2D Scanner



3-track MSR

# Extended I/O BOX



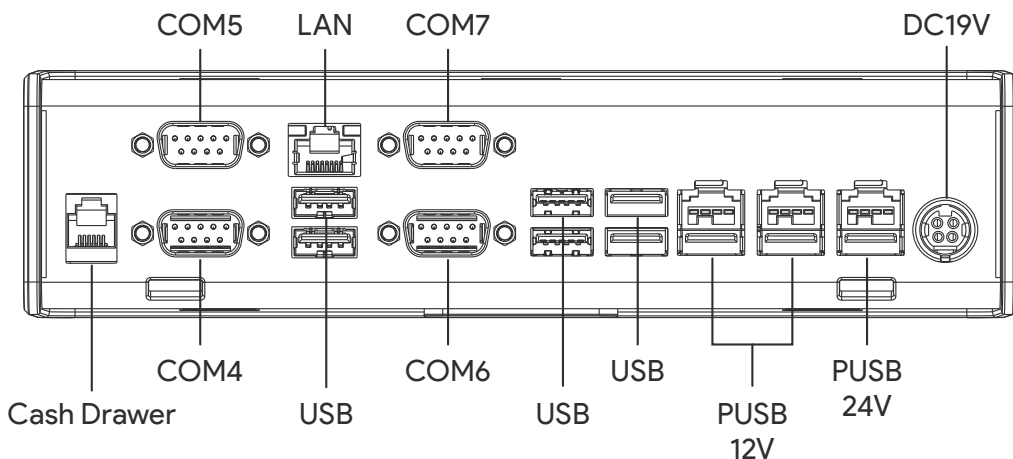
With the flexibility of converting to a Panel PC, the PT56 can be VESA mounted onto a pole and power via a Type C USB cable connected to the Extended I/O Box.

The Extended I/O Box can be mounted under the counter and the design provides for easy maintenance and quick swap for all peripherals connected to the box.

## Specifications

### VarilO I/O Box

Cash Drawer	1 x RJ11 (supports DC + 12V/24V (default)), supports 2 cash drawers
LAN Port	1 x RJ45
USB Port	2 x USB 3.0, 4 x USB 2.0
Powered USB Port (Project Based)	2 x DC+12V powered USB, 1 x DC+24V powered USB
COM Port	4 x RS232 (jumper setting, support DC+0/5/12V, default setting is 0V)
Type-C	1 x Type-C





## Specifications

### PT56 J6

### PT56 i3

Processor	Intel Celeron Quad Core J6412 2.0 GHz (Turbo Boost up to 2.6 GHz)	Intel Dual Core i3-1215U 1.2 GHz (Turbo Boost up to 4.4 GHz)
System Memory	8 GB DDR4 SODIMM RAM (up to 16 GB)	8 GB DDR5 SODIMM RAM (up to 32 GB)
Storage	1 x M.2 SSD	1 x M.2 SSD

## Display

Size / Resolution	15.6" TFT LCD / 1920 x 1080 pixels	15.6" TFT LCD / 1920 x 1080 pixels
Brightness	350 cd/m <sup>2</sup>	350 cd/m <sup>2</sup>
Touch Screen Panel	Projected capacitive touch (true-flat)	Projected capacitive touch (true-flat)

## I/O Interface

USB Port	4 x USB 2.0, 3 x USB 3.1, 1 x Type-C (PD+DP)	4 x USB 2.0, 3 x USB 3.1, 1 x Type-C (PD+DP)
Serial Port	2 x RJ50	2 x RJ50
Audio Port	2 x 2 W speaker	2 x 2 W speaker
Network Port	1 x RJ45 Gigabit Ethernet	1 x RJ45 Gigabit Ethernet
Cash Drawer Port	1 x RJ12 (DC 12 V / 24 V by jumper setting, supports 2 cash drawers)	

## Operating System

Windows	10 IoT / 10 Pro / 11 IoT / 11 Pro	10 IoT / 10 Pro / 11 IoT / 11 Pro
---------	-----------------------------------	-----------------------------------

## Environment & Mechanical

Dimensions & Weight	No base: 360 (W) x 214 (H) x 40 (D) mm   3.6 kg With base: 360 (W) x 178 (H) x 261 (D) mm   5.2 kg WP base: 360 (W) x 340 (H) x 260 (D) mm   7.0 kg
Chassis Material	Heat-dissipating solid aluminium die-cast casing
VESA Pattern	75 x 75 mm
Temperature	Operating: 0°C to 40°C   Storage: -20°C to 60°C
Humidity	Operating: 20%-80%   Storage: 20%-80% (non-condensing)
Power Consumption	19 V / 3.42 A, external power adapter, 100-240 V, 50/60 Hz

## Model Options

Integrated Card Reader	3-track MSR, RFID reader
Customer Display	10.1" (1280 x 800 pixels) TFT LCD display or 2-line VFD
Logo	Customisation of your own logo for orders over 50 units

All product specifications are subject to change without notice.

## MachX Enterprise

67 Weaver Street Coopers Plains QLD 4108, Australia  
 +61 7 3275 5855 sales@machx.com.au  
 www.machx.com.au

